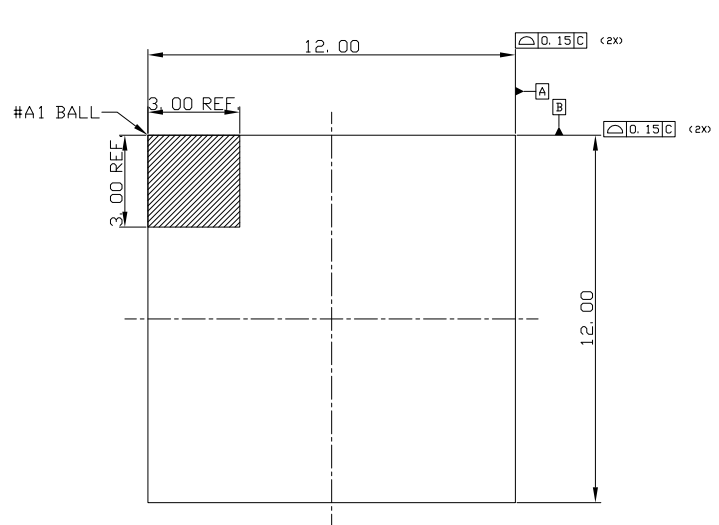
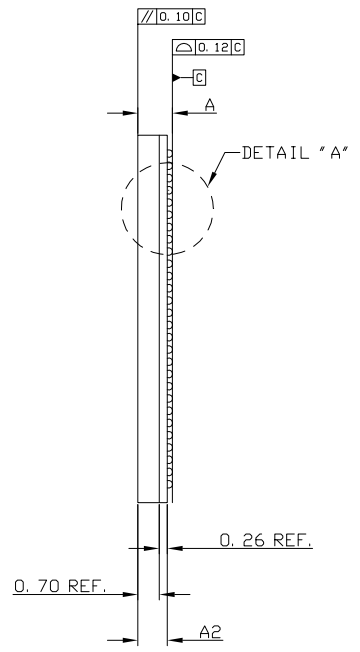


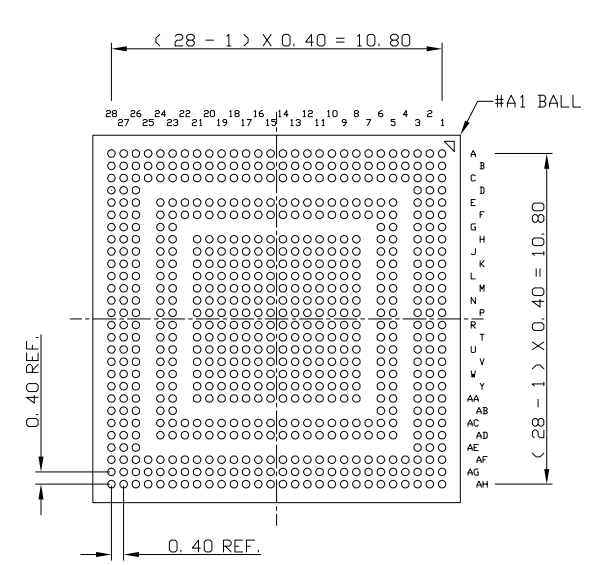
Revision history	
NO	Change the C.I
1	



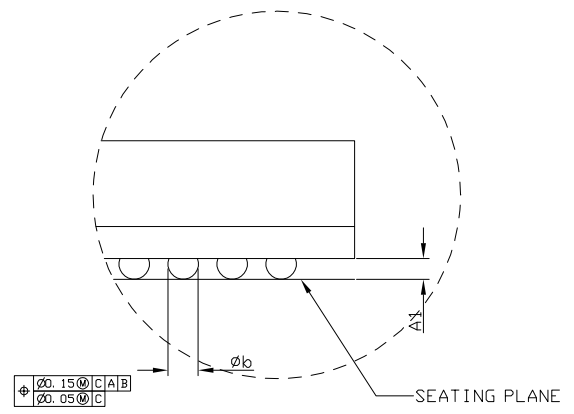
TOP VIEW



SIDE VIEW



BOTTOM VIEW



DETAIL "A"  
ROTATED 90°  
(SCALE 4/1)

DIMENSION	MINIMUM	NORMAL	MAXIMUM
A	-	1.13	1.20
A1	0.12	0.17	0.22
A2	0.92	0.96	1.00
b	0.20	0.25	0.30
BALL COUNT : 640			

- NOTES:
1. ALL DIMENSIONS AND TOLERANCE CONFORM TO ASME Y14. 5M-1994.
  2. PIN 1 IDENTIFIER CAN BE CHAMFER, INK MARK, METALLIZED MARK OR SHINY DOT, MUST BE LOCATED WITHIN ZONE INDICATED.
  3. DIMENSION "b" IS MEASURED AT THE MAXIMUM SOLDER BALL DIAMETER PARALLEL TO PRIMARY DATUM C.
  4. COMPLIANT TO JEDEC REGISTERED OUTLINE MO-XXX.
  5. RAW SOLDER BALL SIZE DURING ASSEMBLY IS  $\varnothing 0.45\text{mm}$ .

			TITLE		640FBGA, 12.0X12.0mm, 640BALL, 0.40PITCH, 0.70CAP., 1.20THICKNESS		
			DES. BY		WS. NAM	14.03.17	
CHE. BY				REV. NO	UNIT	SCALE	SHEET
DRA. BY				1	MM	1/1	1/1
APP. BY		WS. LEE	14.03.17				