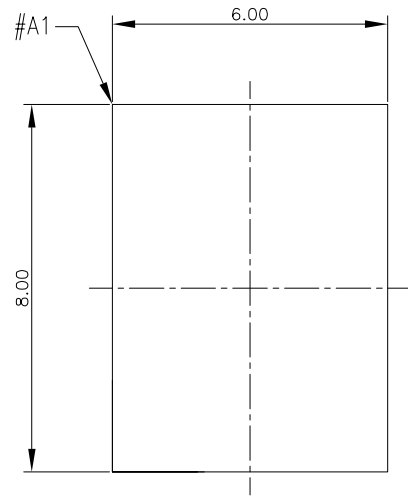
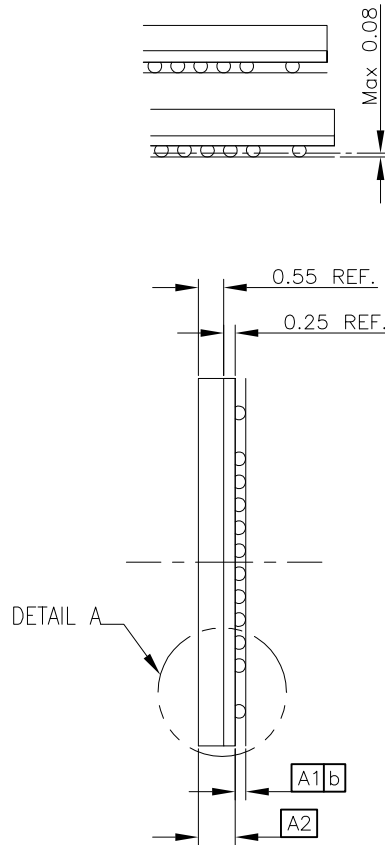


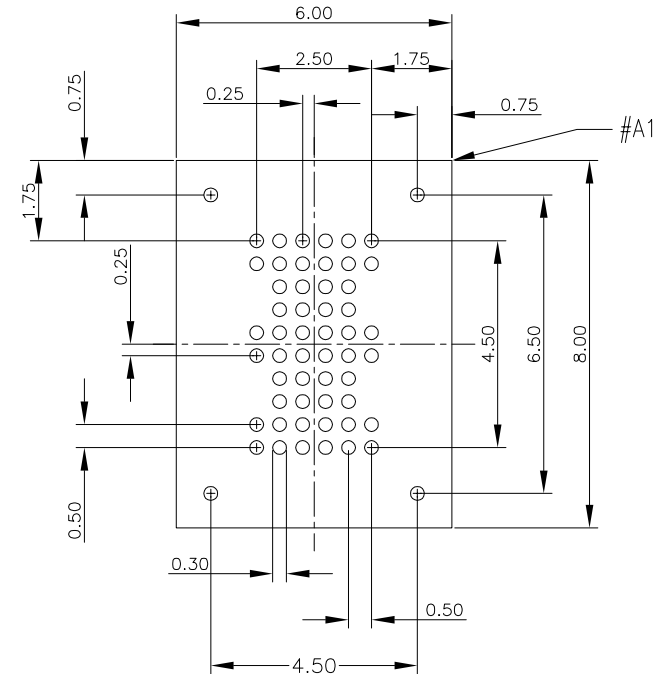
NO	변경 내용



TOP VIEW



SIDE VIEW



BOTTOM VIEW

DIMENSION	MINIMUM	NOMINAL	MAXIMUM
A	-	-	1.20
A1	0.18	0.23	0.28
A2	0.75	0.80	0.85
b	0.25	0.30	0.35

NUMBER OF BALLS 56

			TITLE		PACKAGE OUTLINE FBGA, 6.0 X 7.0mm 0.50pitch, 56 , 2L		
			DES. BY	연구원/남우식	2014.03.17	DWG. NO	GPD0093
CHE. BY			REV. NO	UNIT	SCALE	SHEET	
DRA. BY			0	MM	1/1	1/1	
APP. BY	이사/이우섭	2014.03.17					