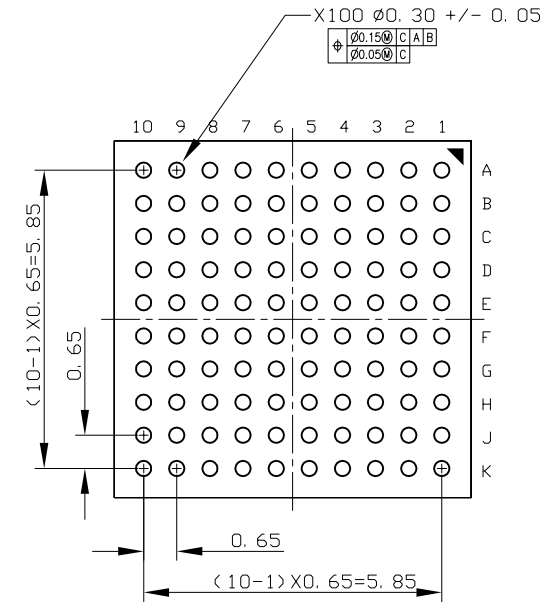
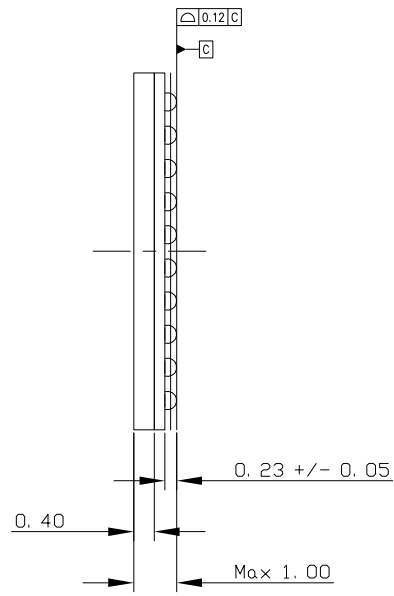
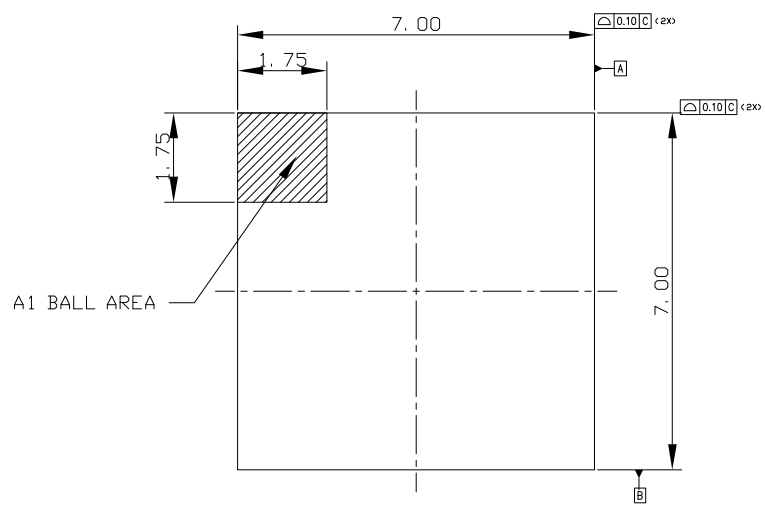


NO	변경 내용



TOP VIEW

SIDE VIEW

BOTTOM VIEW

ATsemicon			TITLE	100vFBGA 7.0 X 7.0mm 0.65Pitch, 0.40CAP PACKAGE OUTLINE		
DES. BY	연구원/남우식	14. 03. 17	DWG. NO	GPD0065		
CHE. BY			REV. NO	UNIT	SCALE	SHEET
DRA. BY			0	MM	1/1	1/1
APP. BY	이사/이우섭	14. 03. 17				