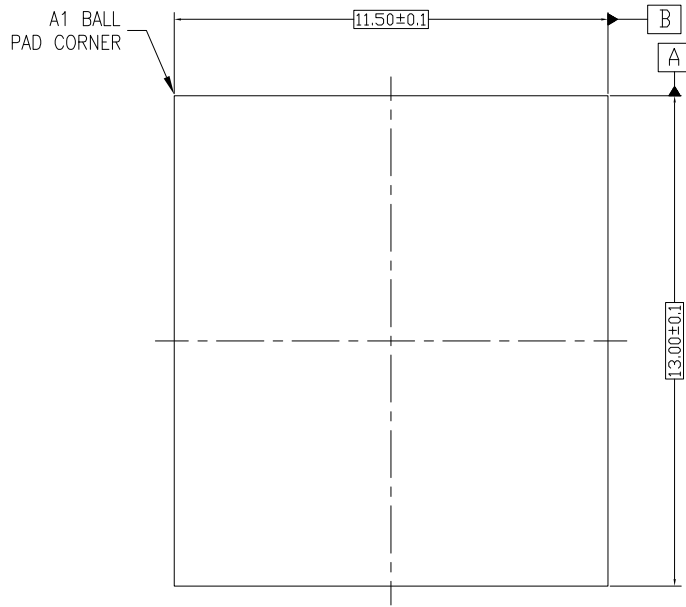
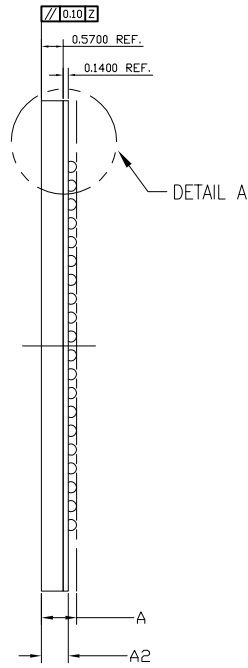


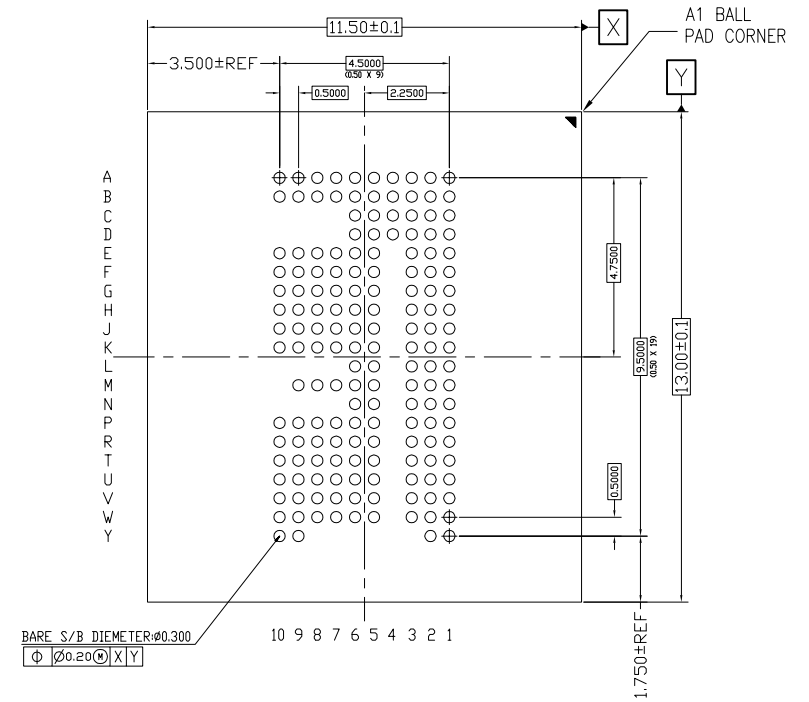
NO	변경 내용



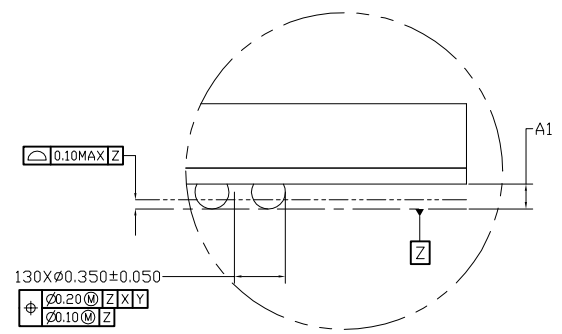
TOP VIEW



SIDE VIEW



BOTTOM VIEW



DIMENSION	MINIMUM	NOMINAL	MAXIMUM
A	-	0.93	1.00
A1	0.17	0.22	0.27
A2	0.66	0.71	0.73
NUMBER OF BALLS 162			

		TITLE		162FBGA 11.5X13.0 mm 0.50pitch, 0.3ball PACKAGE OUTLINE		
		DES. BY	주입/전석희	14.02.24	DWG. NO	
CHE. BY				REV. NO		
DRA. BY				UNIT	SCALE	SHEET
APP. BY		이사/이우섭	14.02.24	0	MM	NONE
				1/1		