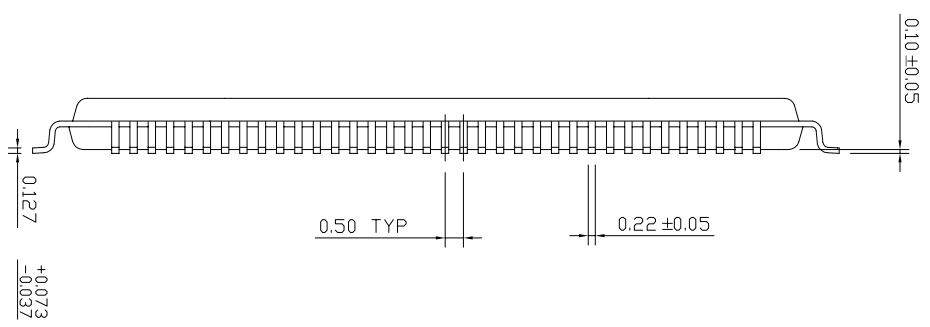
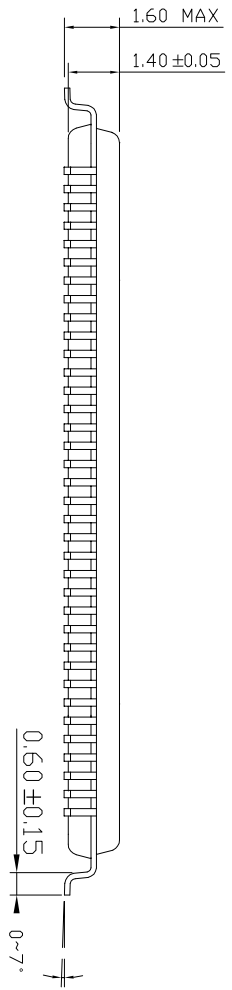
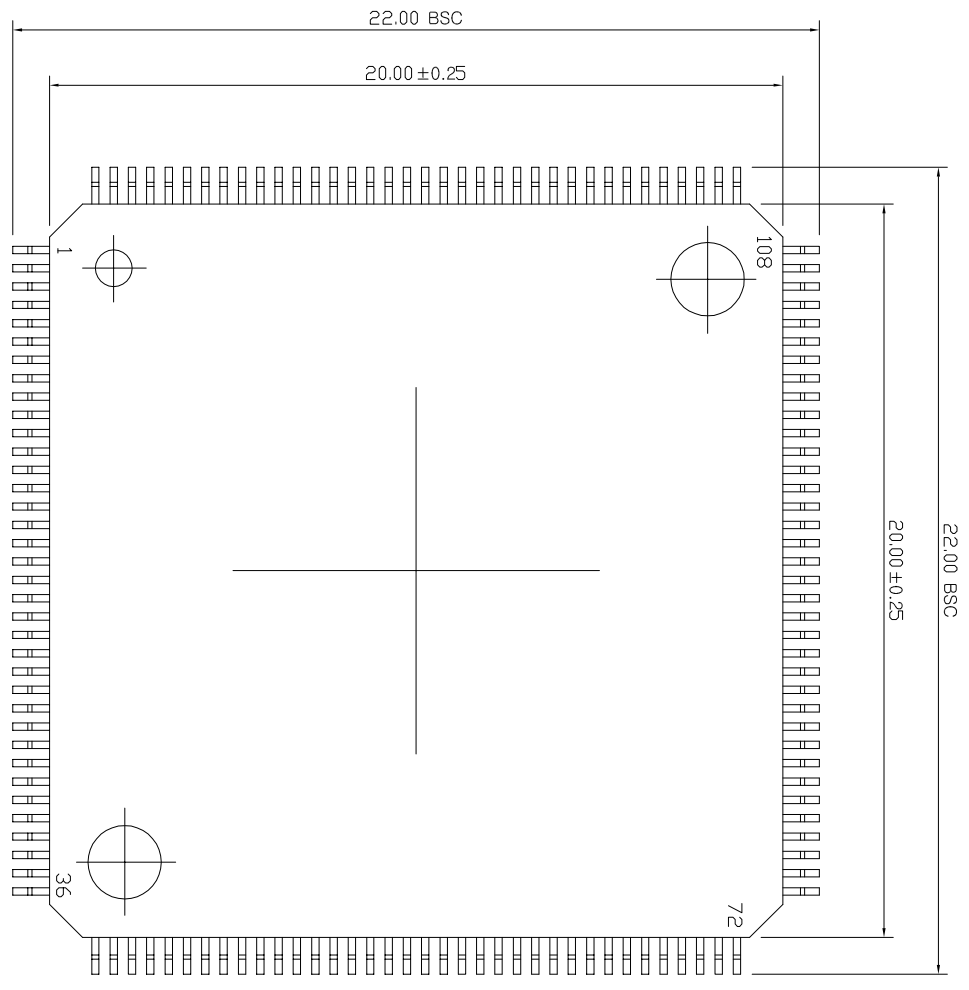


ND	History



			TITLE		144-LQFP-2020	
			PACKAGE OUTLINE		GP D00 0 31	
DES. BY	HM. KW/DN	14.02.13	DMG. ND	UNIT	SCALE	SHEET
CHE. BY			REV. ND	MM	NONE	1/1
DRA. BY			0			
APP. BY						