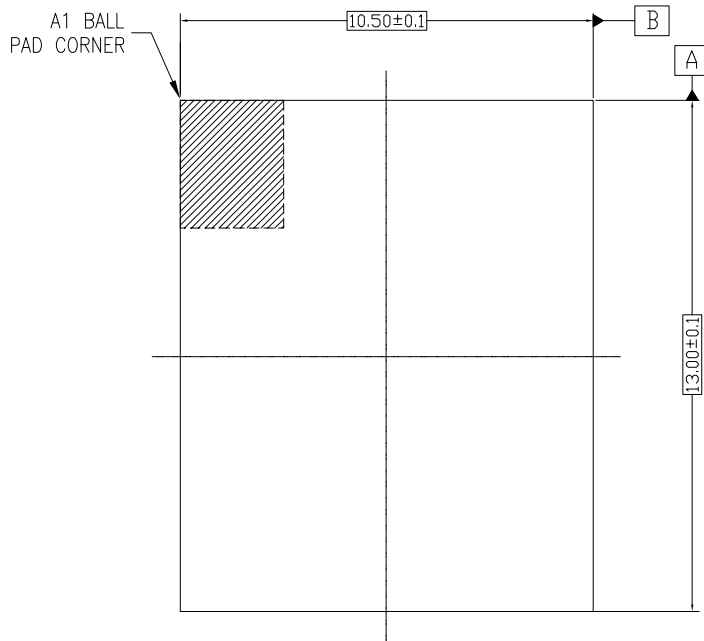
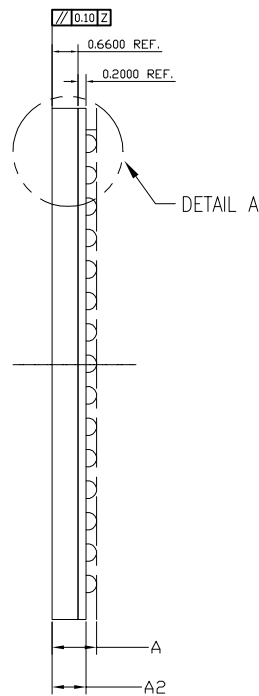


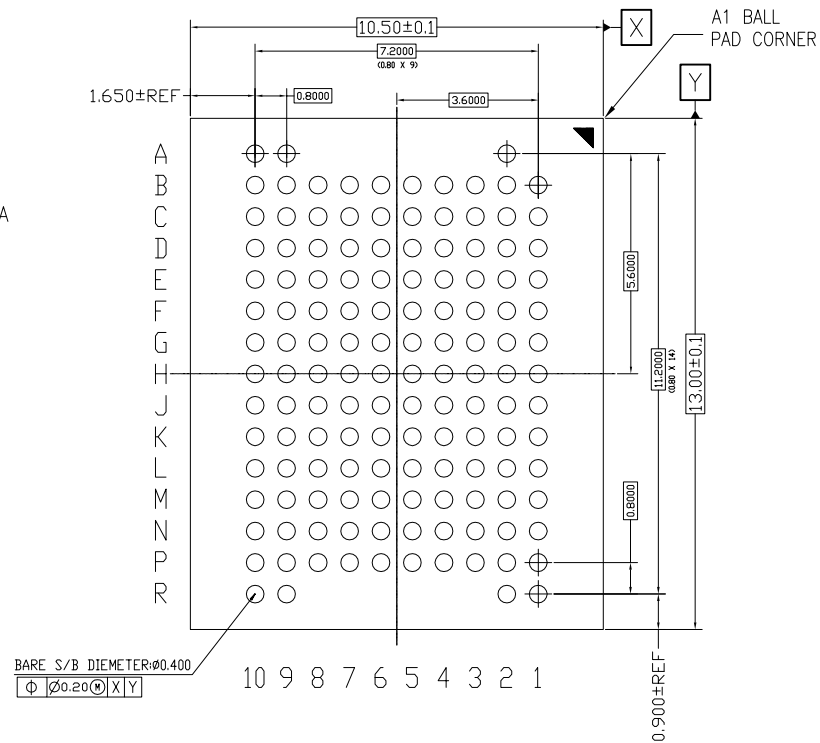
NO	변경 내용



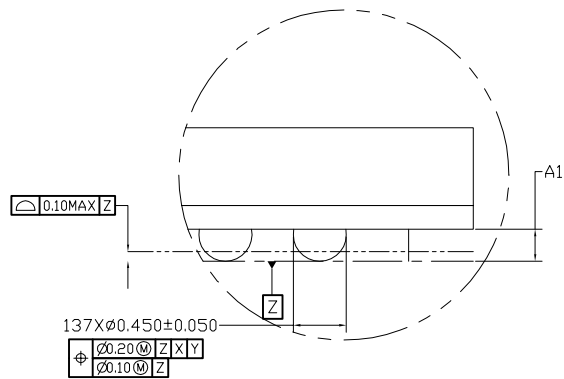
TOP VIEW



SIDE VIEW



BOTTOM VIEW



DETAIL A
ROTATED 90°

DIMENSION	MINIMUM	NOMINAL	MAXIMUM
A	-	1.13	1.20
A1	0.22	0.27	0.30
A2	0.81	0.86	0.90
NUMBER OF BALLS 137			

			TITLE 137FBGA 10.5 X 13.0mm 0.80pitch, 0.4ball PACKAGE OUTLINE			
			DES. BY 연구원/남우식	14.03.17	DWG. NO	
CHE. BY			REV. NO	UNIT	SCALE	SHEET
DRA. BY			0	MM	NONE	1/1
APP. BY	이사/이우섭	14.03.17				