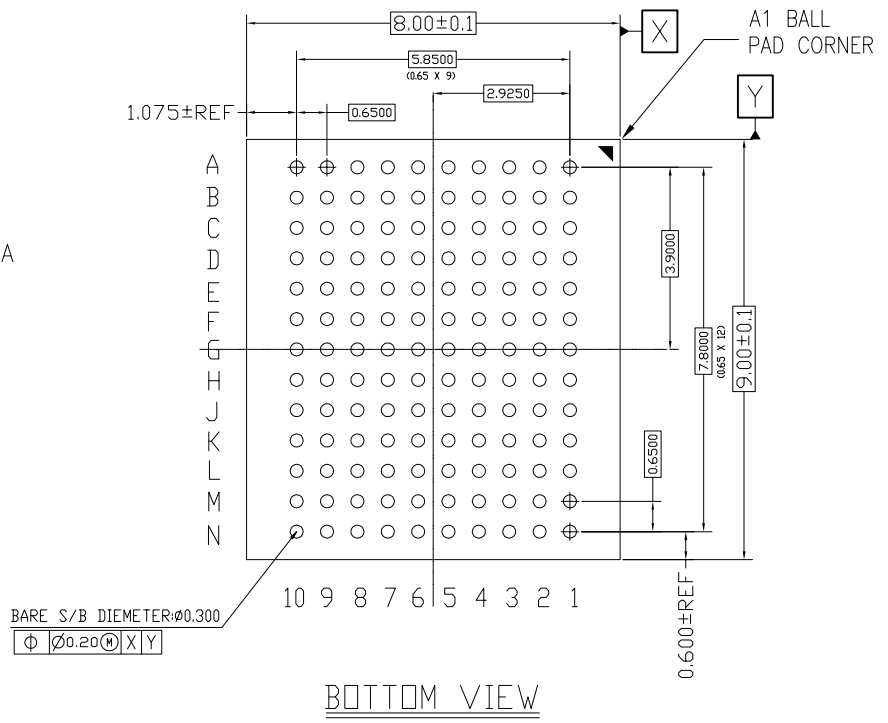
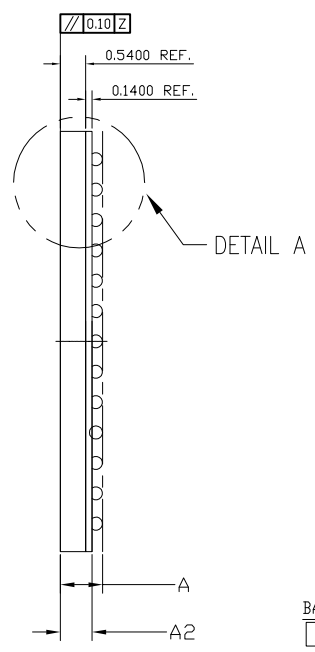
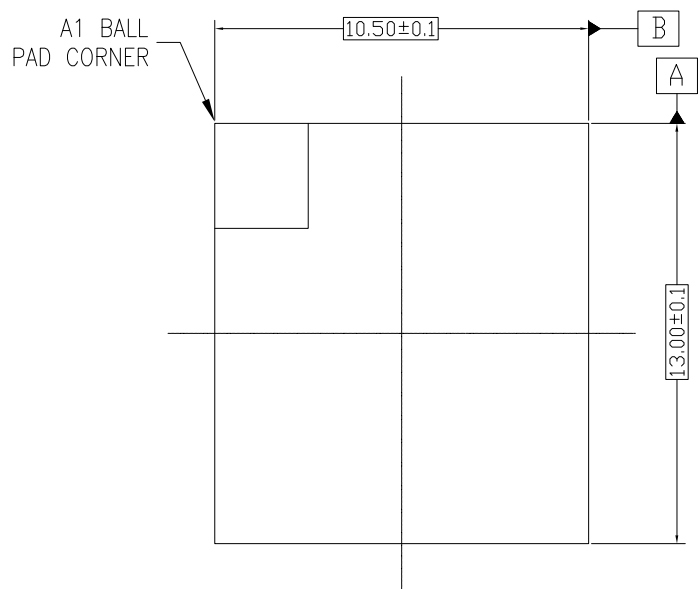


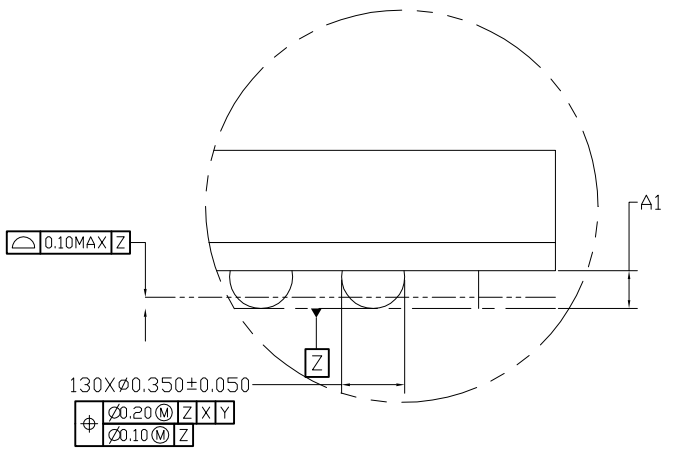
NO	변경 내용



TOP VIEW

SIDE VIEW

BOTTOM VIEW



DIMENSION	MINIMUM	NOMINAL	MAXIMUM
A	-	0.90	0.97
A1	0.17	0.22	0.27
A2	0.63	0.68	0.70
NUMBER OF BALLS 130			

			TITLE		130FBGA 8X9 mm 0.65pitch, 0.3ball PACKAGE OUTLINE				
			DES. BY	연규원/남우식	14.03.17	DWG. NO		GPD0005	
CHE. BY					REV. NO		UNIT	SCALE	SHEET
DRA. BY					0		MM	NONE	1/1
APP. BY			이사/이우섭		14.03.17				