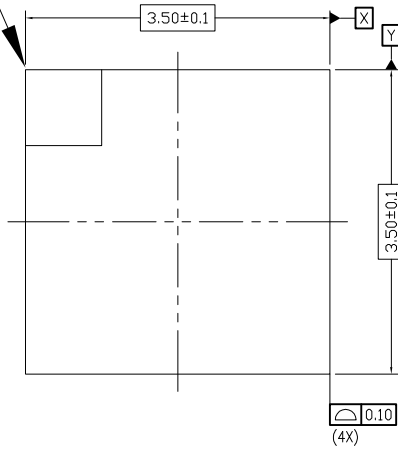
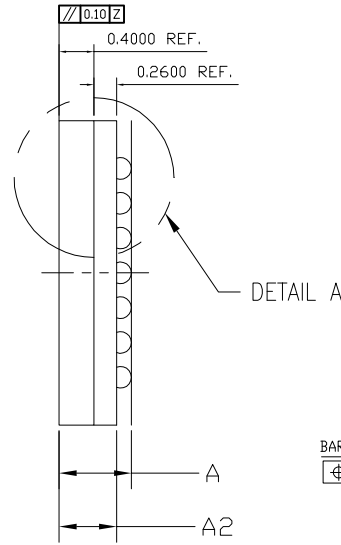


NO	변경 내용

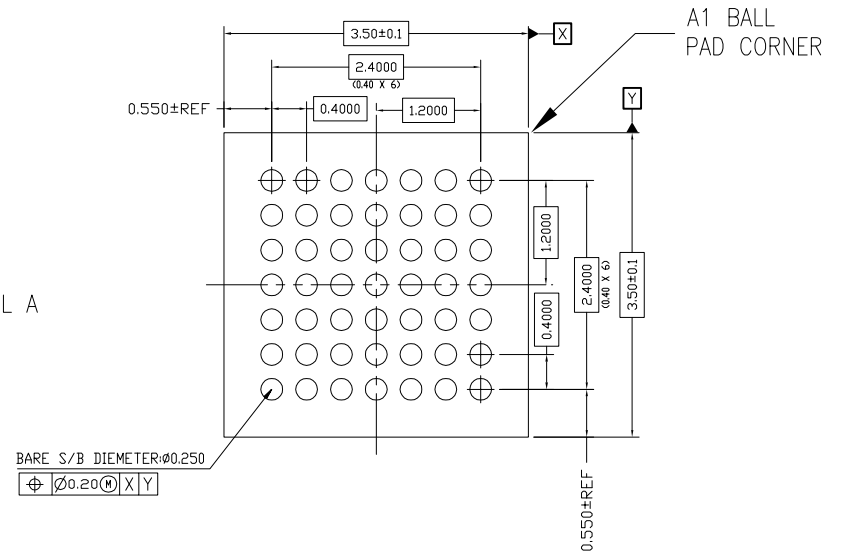
A1 BALL PAD CORNER



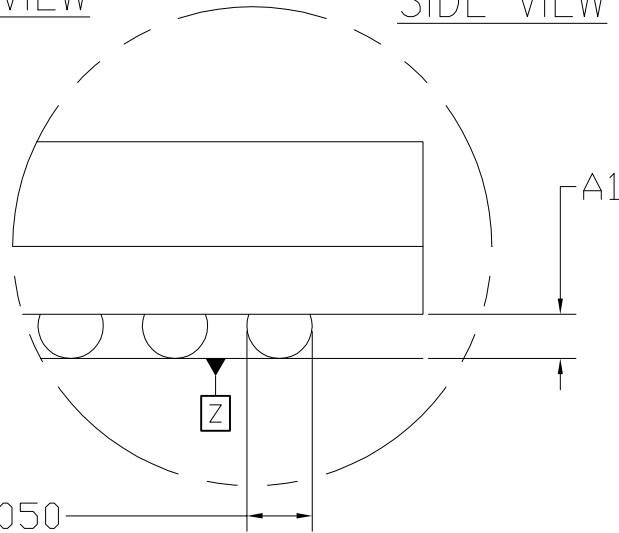
TOP VIEW



SIDE VIEW



BOTTOM VIEW



DETAIL A  
ROTATED 90°

49XØ0.300±0.050

⊕	Ø0.15(M)	Z	X	Y
⊕	Ø0.05(M)	Z		

DIMENSION	MINIMUM	NOMINAL	MAXIMUM
A	-	0.83	0.93
A1	0.12	0.17	0.22
A2	0.61	0.66	0.71
NUMBER OF BALLS 49			

<b>ATsemicon</b>			TITLE	49vFBGA 3.5 X 3.5mm 0.40pitch, 0.25ball PACKAGE OUTLINE		
DES. BY	연구원/남우식	14.03.17	DWG. NO	GPD0003		
CHE. BY			REV. NO	UNIT	SCALE	SHEET
DRA. BY			0	MM	NONE	1/1
APP. BY	이사/이우섭	14.03.17				