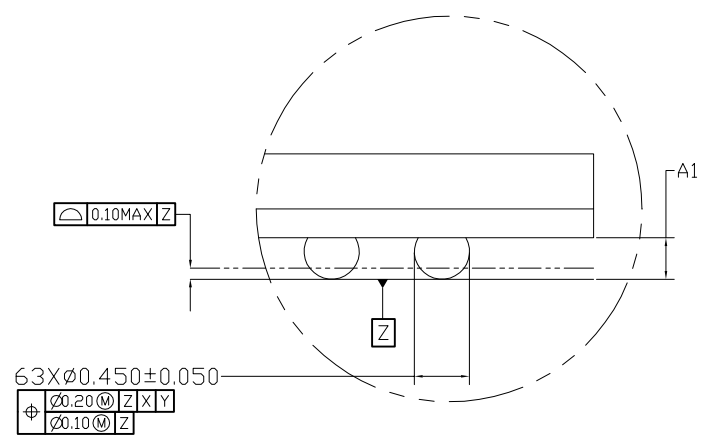
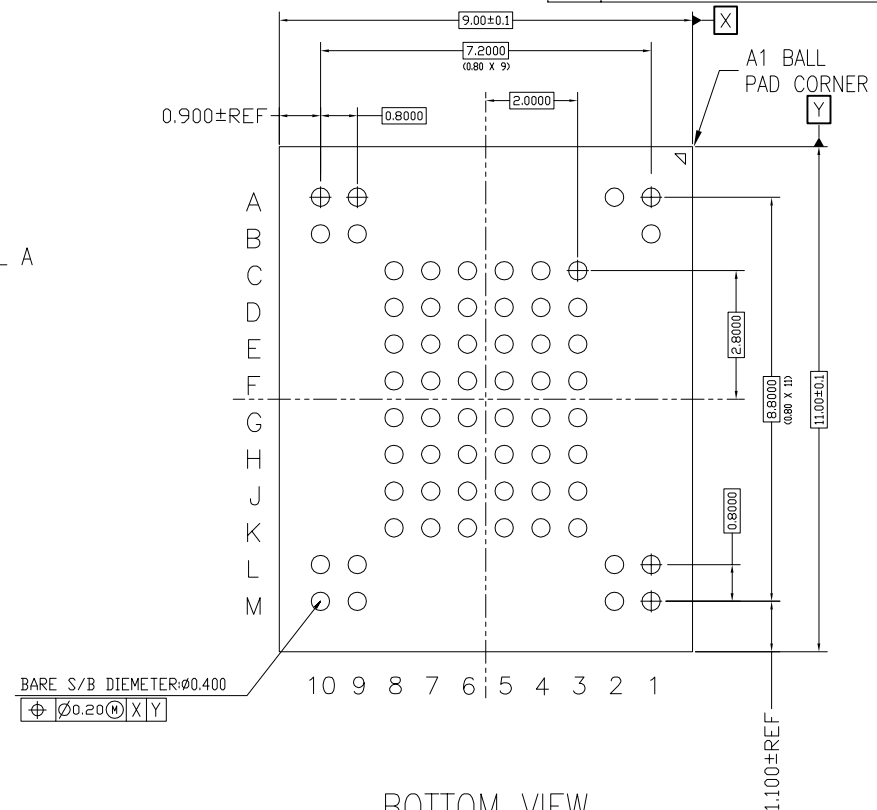
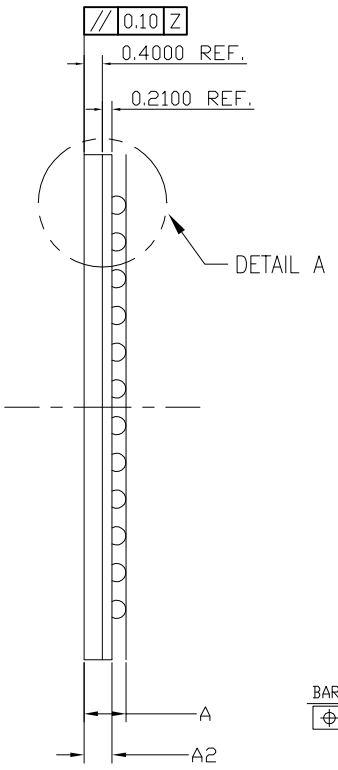
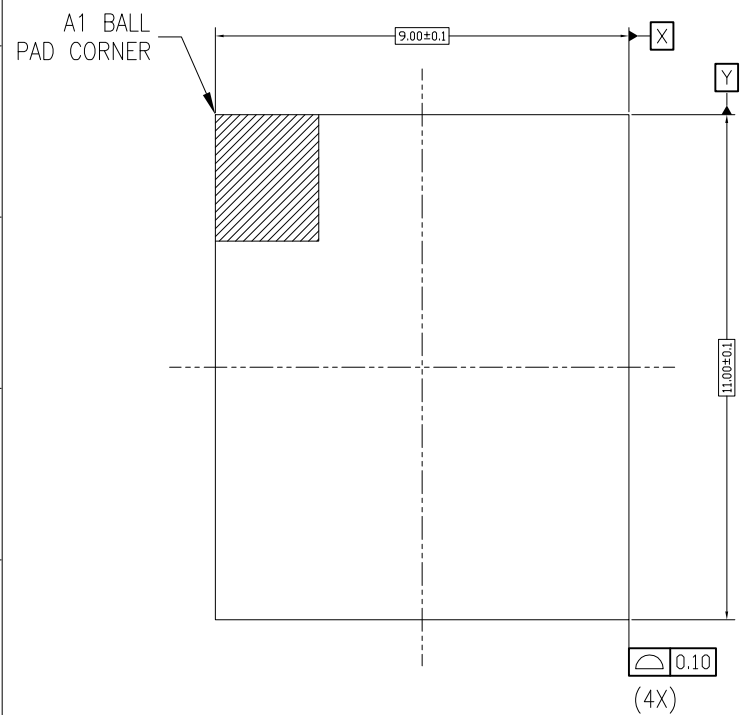


NO	변경 내용



DIMENSION	MINIMUM	NOMINAL	MAXIMUM
A	-	0.93	1.00
A1	0.27	0.32	0.37
A2	0.56	0.61	0.66
NUMBER OF BALLS 63			

ATsemicon		TITLE	63vFBGA, 9.0 X 11.0mm 0.80pitch, 0.4ball PACKAGE OUTLINE		
DES. BY	주임/전석휘	14.03.17	DWG. NO	GPD0002	
CHE. BY			REV. NO	UNIT	SCALE
DRA. BY			0	MM	NONE
APP. BY	이사/이우섭	14.03.17			SHEET 1/1