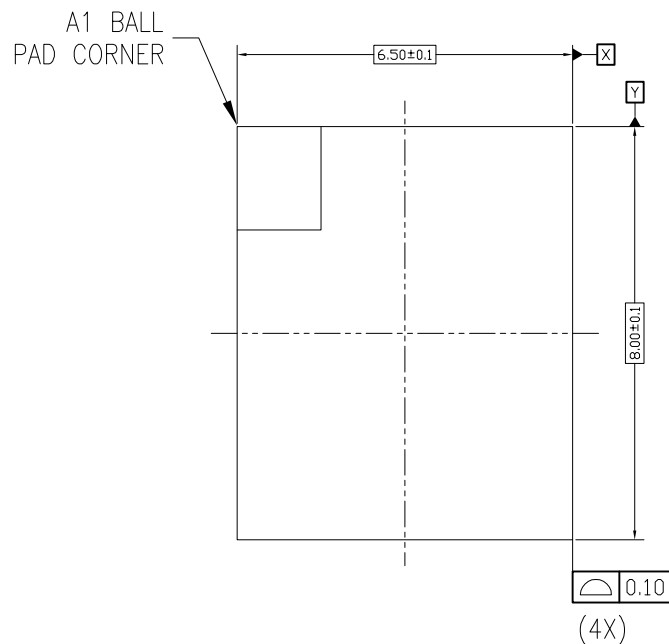
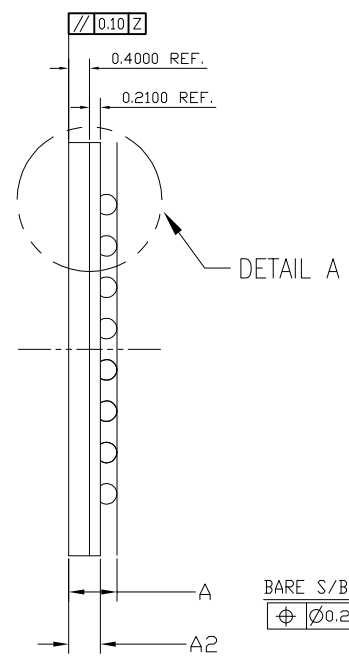


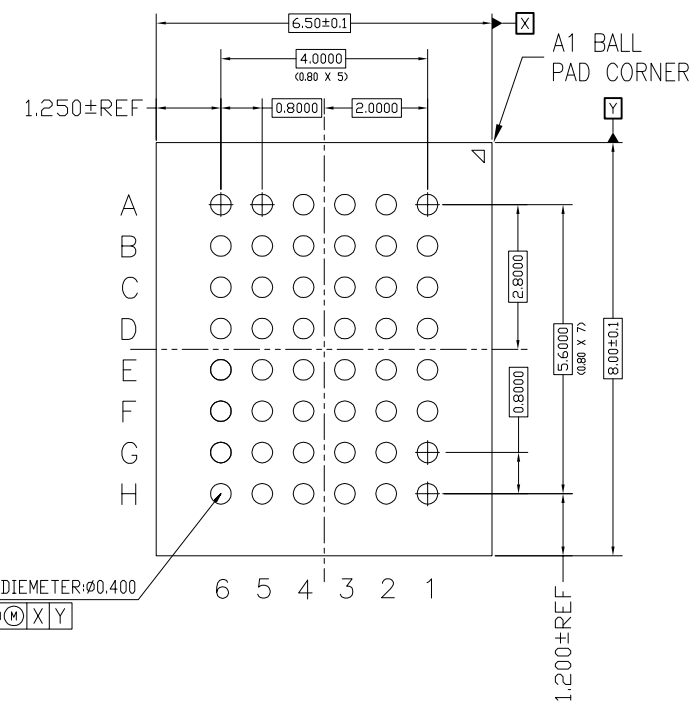
|    |       |
|----|-------|
| NO | 변경 내용 |
|    |       |
|    |       |



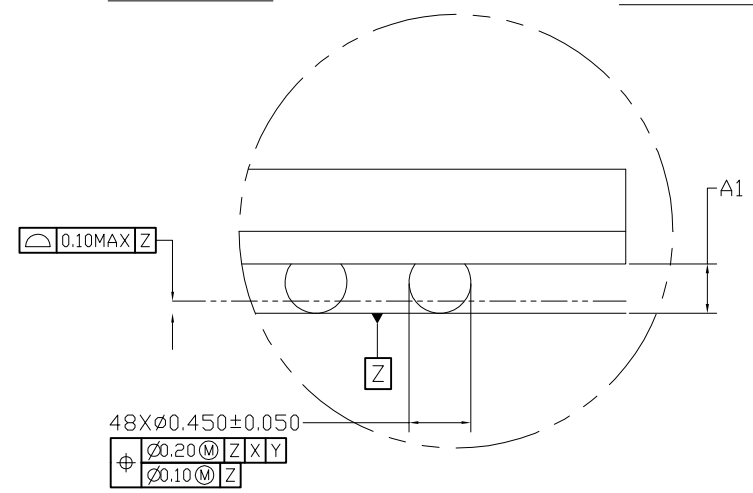
TOP VIEW



SIDE VIEW



BOTTOM VIEW



DETAIL A  
ROTATED 90°

BARE S/B DIAMETER:∅0.400  
 $\oplus \varnothing 0.20 \text{ (M) } \begin{matrix} X \\ Y \end{matrix}$

| DIMENSION          | MINIMUM | NOMINAL | MAXIMUM |
|--------------------|---------|---------|---------|
| A                  | -       | 0.93    | 1.00    |
| A1                 | 0.27    | 0.32    | 0.37    |
| A2                 | 0.56    | 0.61    | 0.66    |
| NUMBER OF BALLS 48 |         |         |         |

|         |        |          |         |  |         |       |
|---------|--------|----------|---------|--|---------|-------|
|         |        | TITLE    |         | 48vFBGA 6.5 X 8.0mm<br>0.80pitch, 0.4ball<br>PACKAGE OUTLINE |         |       |
|         |        | DES. BY  | 연구원/남우식 | 14.03.17   | DWG. NO |       |
| CHE. BY |        |          | REV. NO | UNIT   | SCALE   | SHEET |
| DRA. BY |        |          | 0       | MM   | NONE    | 1/1   |
| APP. BY | 이사/이우섭 | 14.03.17 |         |  |         |       |