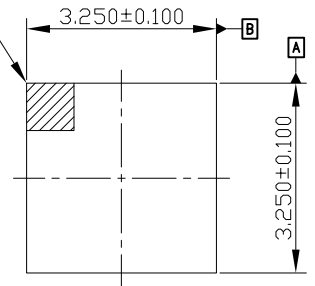
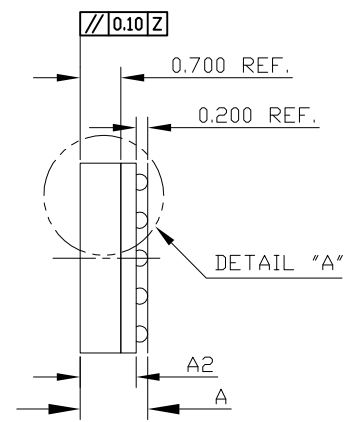


REVISION HISTORY	
NO	
1	Changed substrate thickness(0.26mm -> 0.50mm)
2	Changed A1 ball mark design
3	Changed substrate thickness(0.50mm -> 0.26mm)

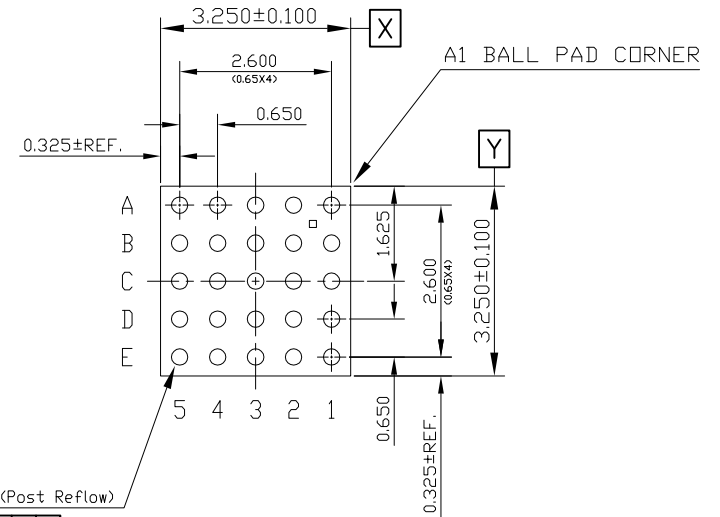
A1 BALL PAD CORNER



TOP VIEW



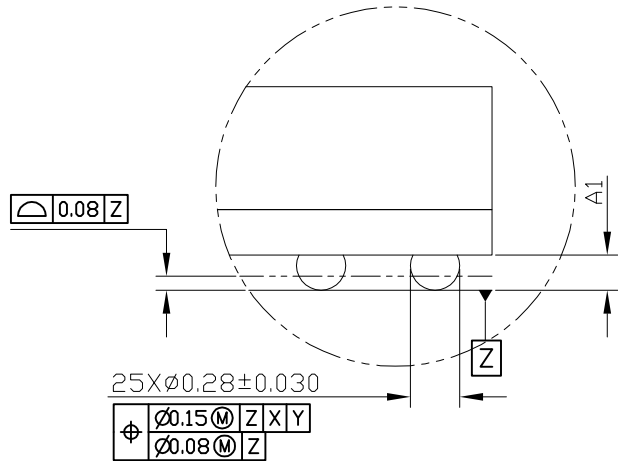
SIDE VIEW



BOTTOM VIEW

25x ϕ 0.300±0.030(Post Reflow)

ϕ 0.15 (M) X Y



DETAIL A
ROTATED 90°
SCALE 1/3

DIMENSION	MINIMUM	NOMINAL	MAXIMUM
A	-	1.16	1.26
A1	0.15	0.20	0.25
A2	0.91	0.96	1.01
NUMBER OF BALLS 25			

ATsemicon			TITLE	25FBGA, 3. 25X3. 25mm, 0. 28BALL, 0. 65PITCH, 0. 70CAP. , 1. 26THICKNESS		
DES. BY	과장/남우석	20.02.11	DWG. NO	GPD0224		
CHE. BY	과장/조성래	20.02.11				
DRA. BY			REV. NO	UNIT	SCALE	SHEET
APP. BY	차장/임동욱	20.02.11	3	MM	1/1	1/1